

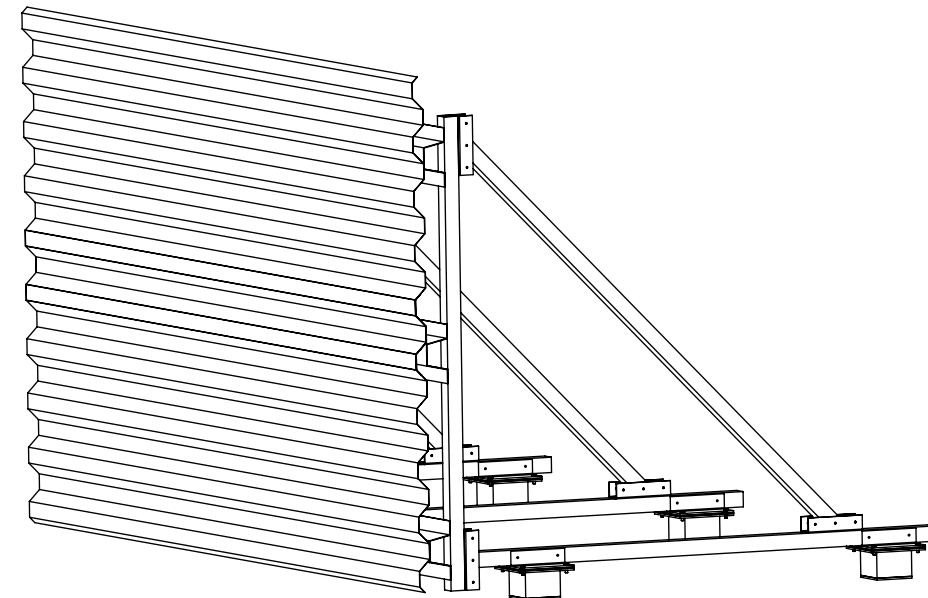
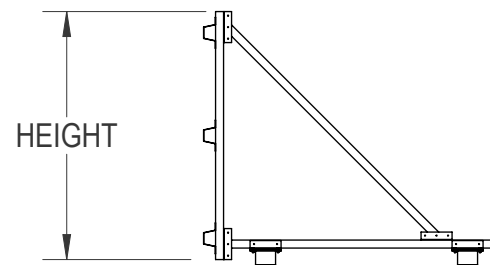
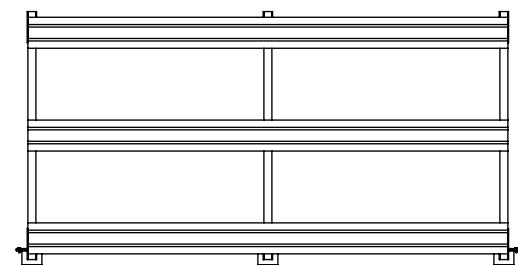
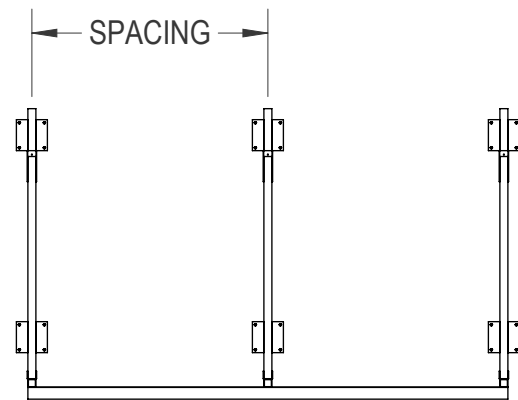
TYPICAL HOLLYWOOD ROOF SCREEN SYSTEM:

SIZING: SPACING OF MODULES IS BASED ON HEIGHT OF ROOF SCREEN

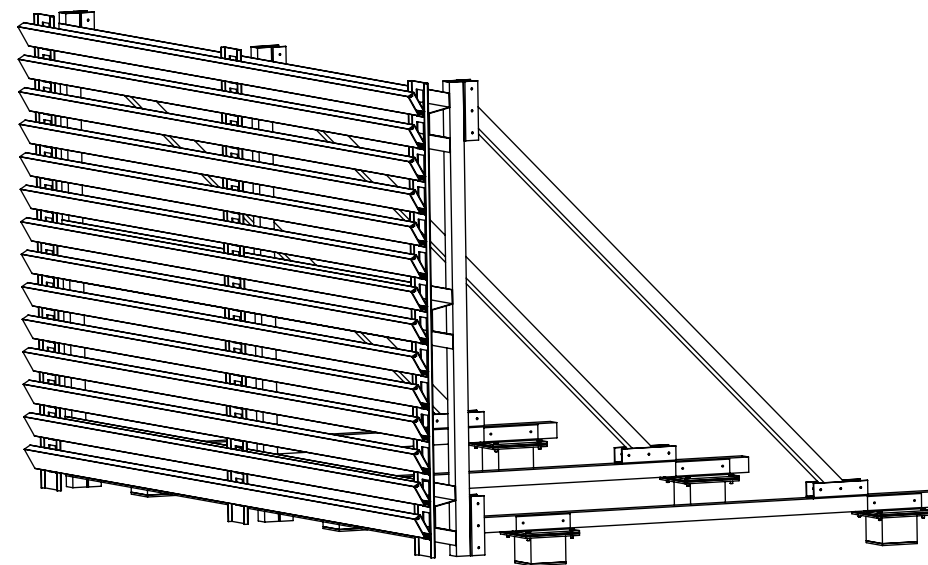
HEIGHT	SPACING
48	72
60	60
78	48

INSTALLATION:
SECURED TO BLOCKING IN ROOF
IN ACCORDANCE TO LOCAL CODES.

- CLADDING OPTIONS:
- CORRUGATED PANEL
 - LOUVERS
 - SOLID & BACK-LIT PANELS



CORRUGATED PANEL



LOUVERS



THE GARRETT COMPANY
Ball Ground, Ga. 30107
www.tgcsystems.com
Ph. 844-344-2100

VERSITAL ROOF
SCREEN SYSTEM

SPECIFY:
LOCATIONS
HEIGHT
CLADDING OPTION

DRAWING NAME: ROOF SCREEN STANDARD SPECS

REV	DATE	BY	DESCRIPTION
A	8/16/17	MP	INITIAL RELEASE

DESIGN NOTES:

100% ALUMINUM FRAME
AAMA APPROVED POWDERCOAT
MULTIPLE CLADDING OPTIONS

DWN BY: MP	CHK BY: JB	ENG. BY:
---------------	---------------	----------

SCALE: 1:48

SHT. NO:

P-1.00

Reproduction of this document without the written authorization of The Garrett Company, LLC is strictly prohibited Copyright 2017, The Garrett Company, LLC.