

TYPICAL HOLLYWOOD WALL SYSTEM:

HOLLYWOOD WALL SYSTEM "CORNER":

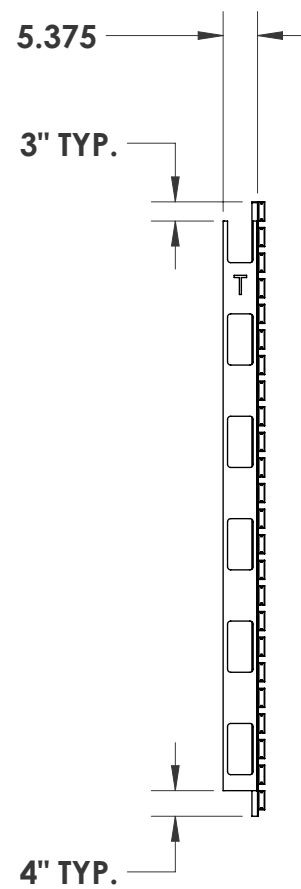
PROJECTION: 6 1/2"
 PANEL WIDTH: 1' - 0" X 1' - 0"
 PANEL HEIGH: 3' - 11"

HOLLYWOOD WALL SYSTEM "END AROUND":

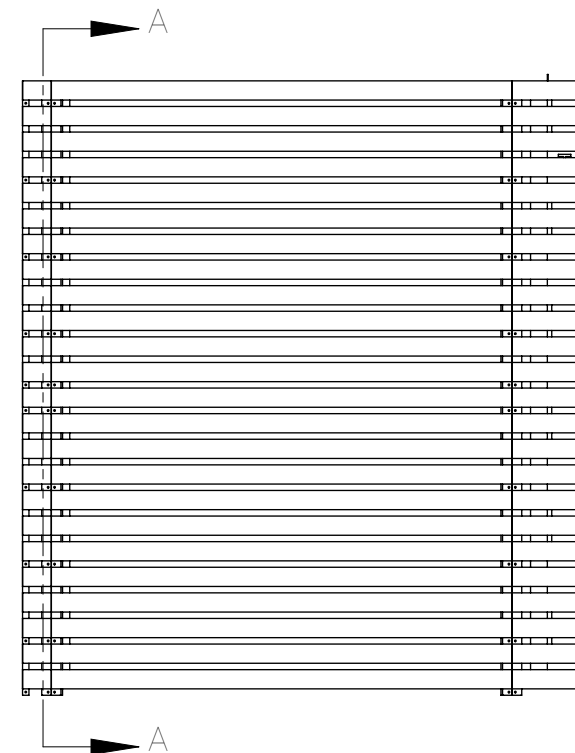
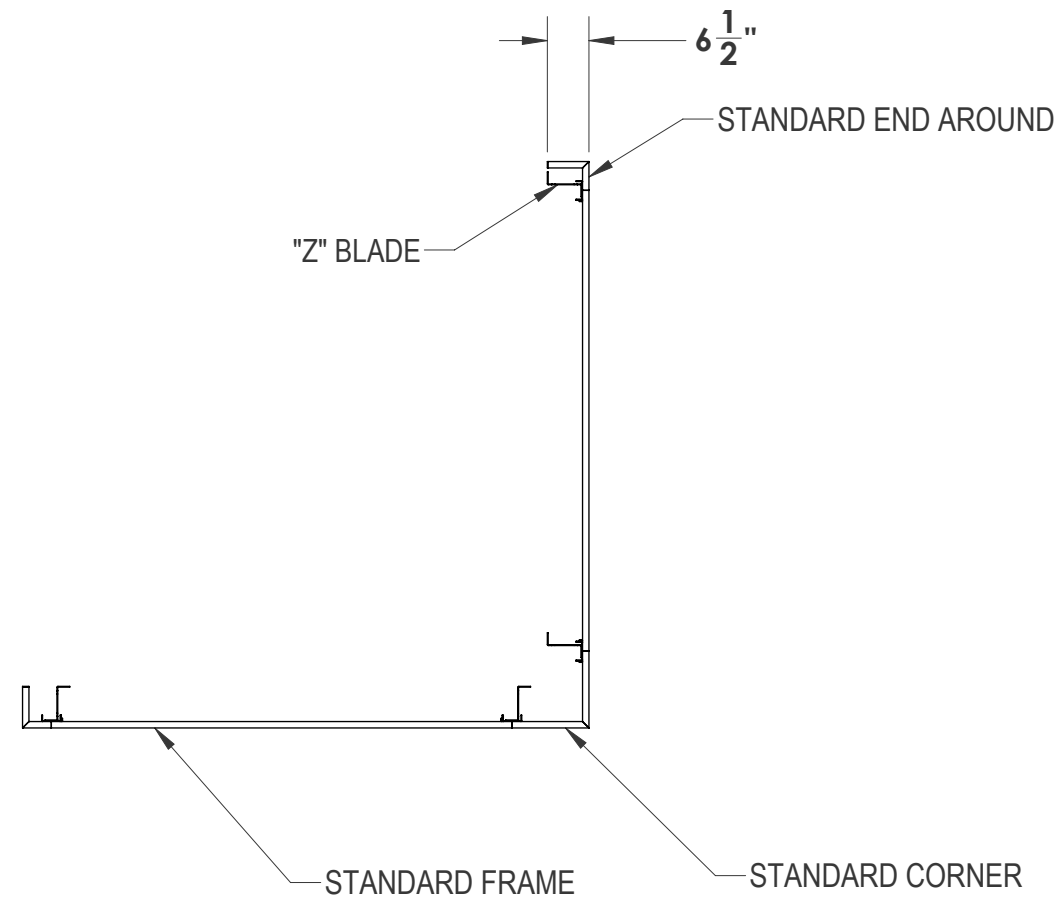
PROJECTION: 6 1/2"
 PANEL WIDTH: 0' - 4 1/2" X 0' - 6 1/2"
 PANEL HEIGH: 3' - 11"

HOLLYWOOD WALL SYSTEM "PANEL":

PROJECTION: 6 1/2"
 PANEL WIDTH: 6' - 0"
 PANEL HEIGH: 3' - 11"



SECTION A-A



THE GARRETT COMPANY
 Ball Ground, Ga. 30107
 www.tgcsystems.com
 Ph. 844-344-2100

HOLLYWOOD WALL SYSTEM PROVIDES BRANDING AND ARCHITECTURAL ENHANCEMENT OPPORTUNITIES

DRAWING NAME: TYPICAL HOLLYWOOD WALL SYSTEM

REV	DATE	BY	DESCRIPTION
A	8/15/17	MP	INITIAL RELEASE

DESIGN NOTES:

100% ALUMINUM
 AAMA APPROVED POWERDERCOAT
 DELIVERED IN MODULES

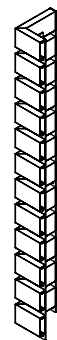
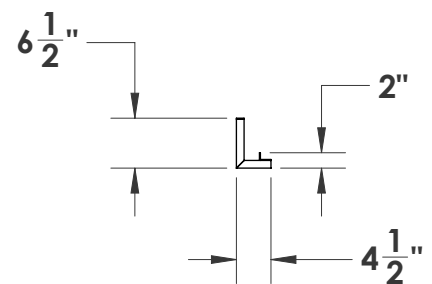
DWN BY: MP	CHK BY: JB	ENG. BY:
---------------	---------------	----------

SCALE: 1:30

SHT. NO:

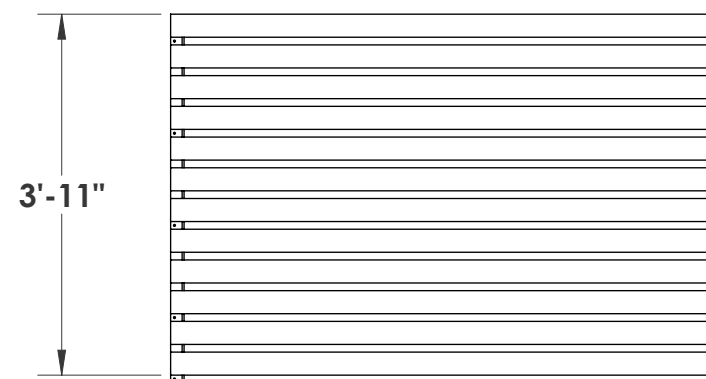
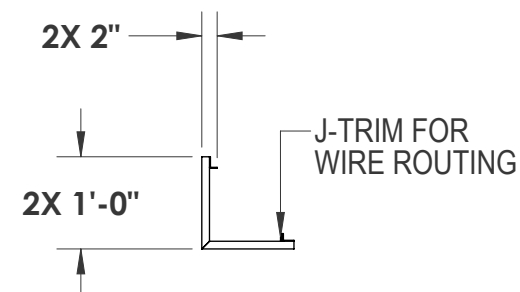
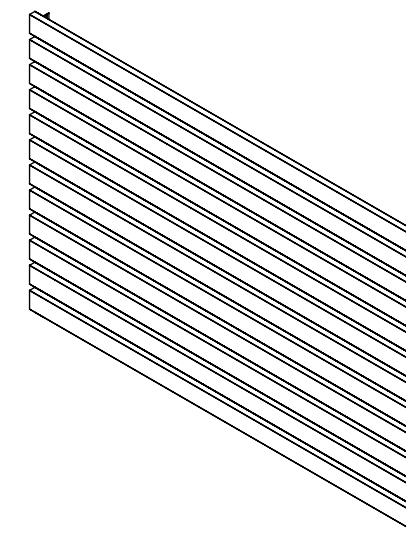
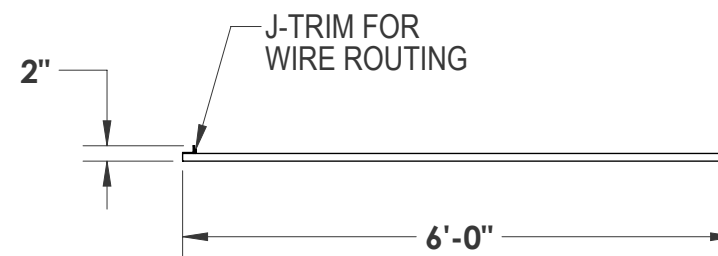
P-1.00

HOLLYWOOD WALL SYSTEM PROVIDES
 BRANDING AND
 ARCHITECTURAL
 ENHANCEMENT
 OPPORTUNITIES



3'-11"

ANGLE TRIMMED IN FIELD
 FOR LENGTH OF PANEL



ANGLE TRIMMED IN FIELD
 FOR LENGTH OF PANEL

3'-11"

ANGLE TRIMMED IN FIELD
 FOR LENGTH OF PANEL

DRAWING NAME: TYPICAL HOLLYWOOD WALL SYSTEM

DESCRIPTION
 INITIAL RELEASE

BY
 MP

DATE
 8/15/17

REV
 A

DESIGN NOTES:

100% ALUMINUM
 AAMA APPROVED
 POWERDERCOAT
 DELIVERED IN
 MODULES

DWN BY: MP CHK BY: JB ENG. BY:

SCALE: 1:25

SHT. NO:

P-1.01